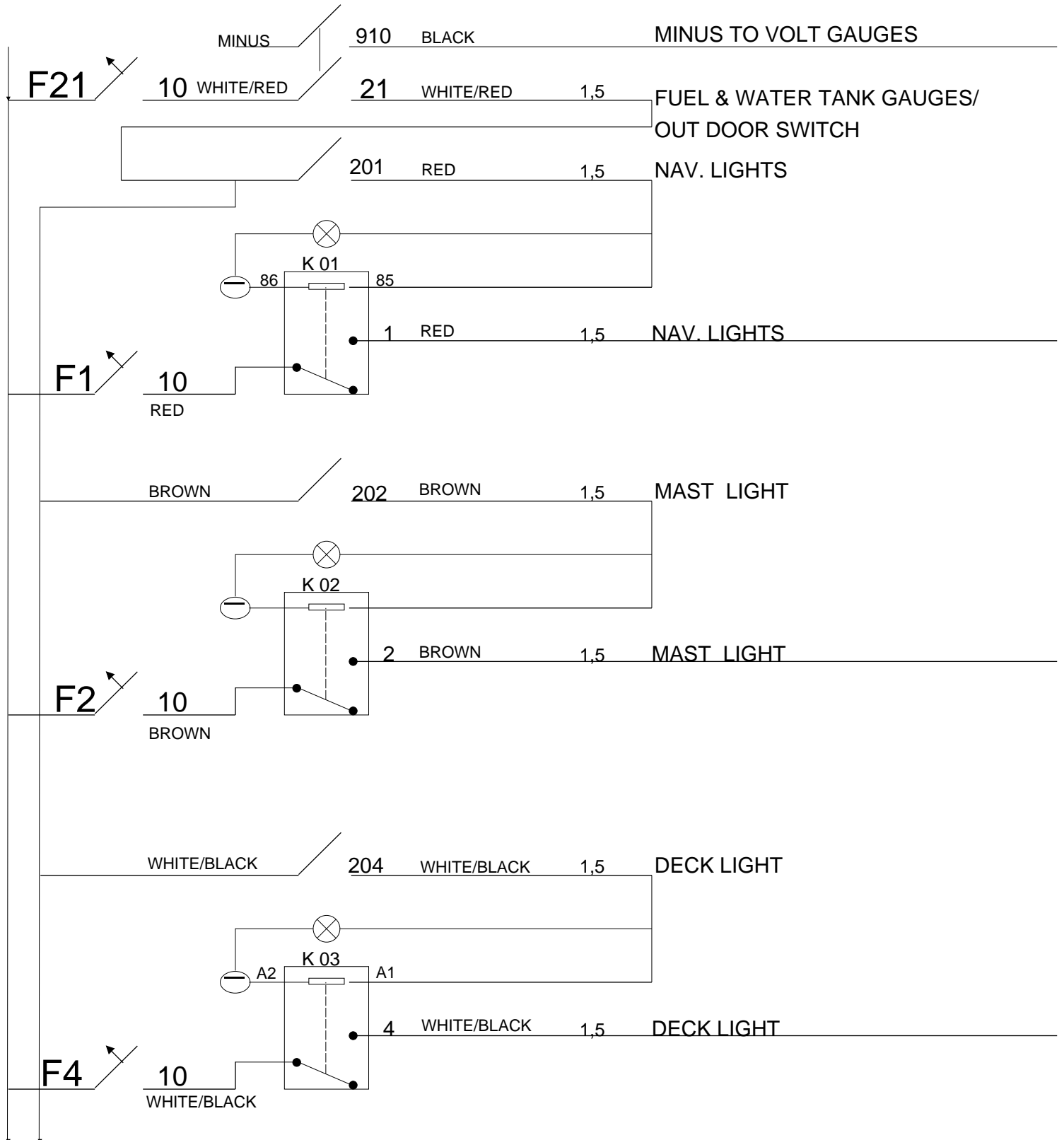



| CIRCUIT BREAKER N:O | AMP | SWITCH CONN. | CABLE N:O/COLOR | SIZE mm2 | FUNCTION |
|------------------------|-----|-----------------|--------------------|-------------|----------|
|------------------------|-----|-----------------|--------------------|-------------|----------|



| | | |
|----------------|--------------------|--|
| N:O 709140 | FINNGULF 36/37/391 | COPY RIGHT BY:  |
| DATE: 3.2.2003 | | PAGE: 2/4 |